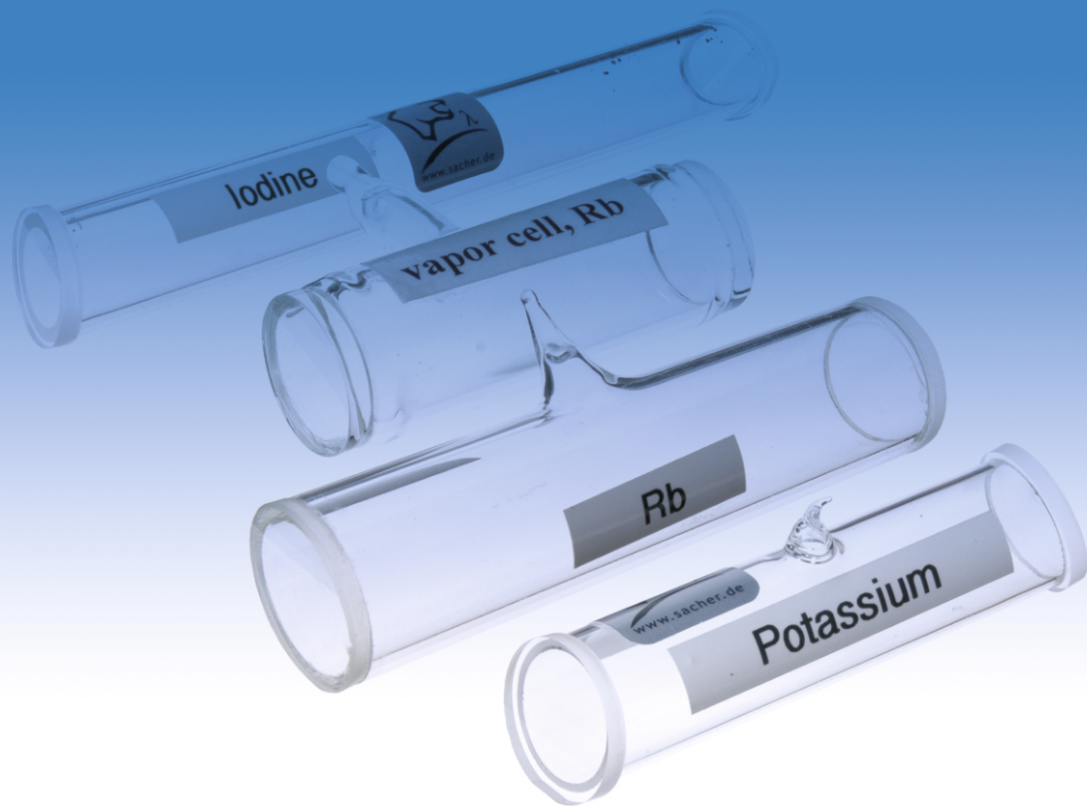


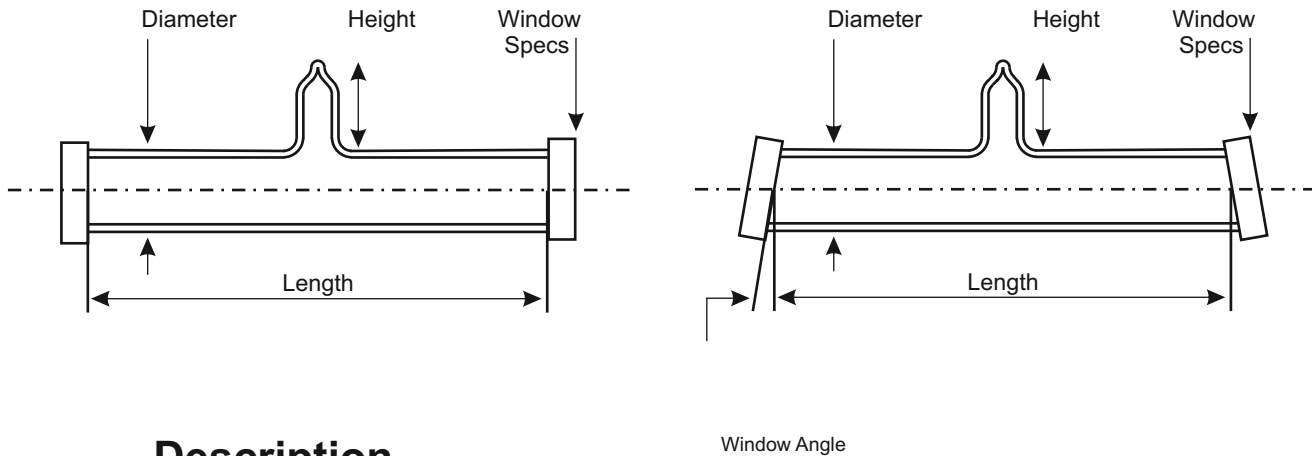
# Vapor Cells for Spectroscopy

Rubidium 85 & 87  
Caesium, Potassium  
and more ...

Scientific Lasers



## Available Cells



## Description

Sacher Lasertechnik Group offers high quality reference vapor and gas cells for spectroscopy experiments manufactured by Triad Technology, Inc. We offer different types of gas cells: Cells with optical quality plane windows, cells with wedge windows, Brewster angled windows and antireflection coated windows are available on request. The wavelength reference cells are grouped in two categories: Vapor Cells and Gas Cells. The vapor cells are Rubidium, Cesium, Iodine, and Potassium. Special isotope selections are available on request. The purity level of the natural elements used in manufacturing all vapor cells is higher than 98%. Before shipping, all vapor cells are tested to ensure the optical quality of the cell's windows and to detect any impurity that may be present in the cell. On request, we offer buffer gases like Neon, Argon, Krypton. Special designs and MOT cells are available on request.

## Specification

Cesium (Cs)	TT-Cs-75	75mm	
Iodine (I)	TT-I-100	100mm	
Rubidium (Rb), Isotope Selection Rb85, Rb87 available	TT-Rb-75	75mm	
Potassium (K)	TT-K-75	75mm	
Sodium (Na)	TT-Na-75	75mm	
Acetylene, Isotope 12	TT-CH12-50-G	50mm	50 Torr
Acetylene, Isotope 13	TT-CH13-50-G	50mm	50 Torr
Hydrogene Cyanide, Isotope 12	TT-HCN12-100-G	75mm	100 Torr
Hydrogene Cyanide, Isotope 13	TT-HCN13-100-G	75mm	100 Torr
Methane	TT-CH4-200-G	150mm	200 Torr
Carbon Monoxide, Isotope 12	TT-CO12-600-G	150mm	600 Torr
Carbon Monoxide, Isotope 13	TT-CO13-600-G	150mm	600 Torr

Report: <http://data.sacher.us/techdocs/GasCellReport.pdf> specifications are subject to change without further notice

## Application

*Absorption Spectroscopy*

## Please contact us

Sacher Lasertechnik  
GmbH  
Hannah Arendt Str. 3-7  
D-35037 Marburg/Lahn  
Germany  
Tel.: +49 6421 305 - 0  
Fax: +49 6421 305299

Sacher Lasertechnik  
LLC  
5765 Equador Way  
Buena Park, CA90620  
U. S. A.  
Tel.: 1-800-352-3639  
Fax: 1-714-670-7662

Email: [contact@sacher.de](mailto:contact@sacher.de)  
Web: <http://www.sacher.de>



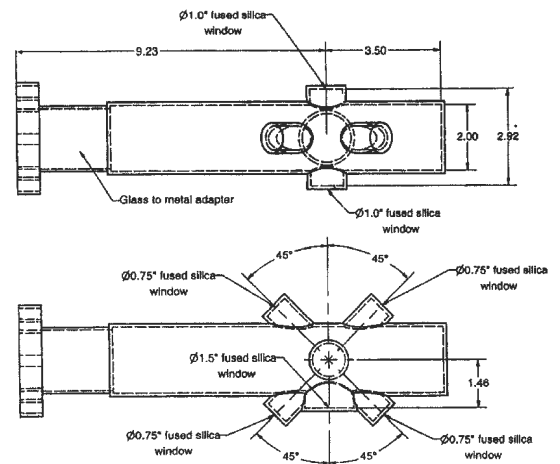
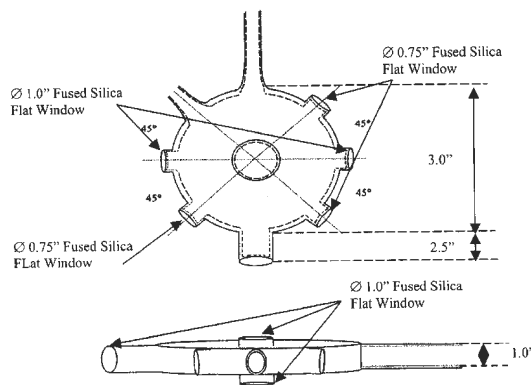
# MOT Cells for Spectroscopy

Rubidium 85 & 87  
Caesium, Potassium  
and more ...

Scientific Lasers



## Available Cells



## Description

Sacher Lasertechnik Group offers high quality gas cells for magneto optical traps (MOT) manufactured by Triad Technology, Inc. All standard filling materials like Rubidium, Cesium, Potassium, etc. are available. The purity level of the natural elements used in manufacturing all vapor cells is higher than 98%. The windows are manufactured by Fused Silica. Before shipping, all vapor cells are tested to ensure the optical quality of the cell's windows and to detect any impurity that may be present in the cell. On request, we offer buffer gases like Neon, Argon, Krypton. Please contact us in case you are interested in complete MOT solutions. We offer complete MOT systems with Laser System, Lockbox, MOT together with a mirror set in different configurations, c/f <http://www.sacher.us/TechDocs5.php>

## Specification

Window Specification	Wedge Window	Flat Window
Diameter	21.0mm	25mm
Wedge Angle	11°	0°
Thickness	2.0mm	3.0mm
Surface Quality	40-60 scratch & dig.	40 - 60 scratch & dig
Wedge Angle	2°	0°

specifications are subject to change without further notice

## Application

*Optical Cooling & Trapping*

## Please contact us

Sacher Lasertechnik  
GmbH  
Hannah Arendt Str. 3-7  
D-35037 Marburg/Lahn  
Germany  
Tel.: +49 6421 305 - 0  
Fax: +49 6421 305 300

Sacher Lasertechnik  
LLC  
5765 Equador Way  
Buena Park, CA90620  
U. S. A.  
Tel.: 1-800-352-3639  
Fax: 1-714-670-7000

Email: [contact@sacher.de](mailto:contact@sacher.de)  
Web: <http://www.sacher.de>

